

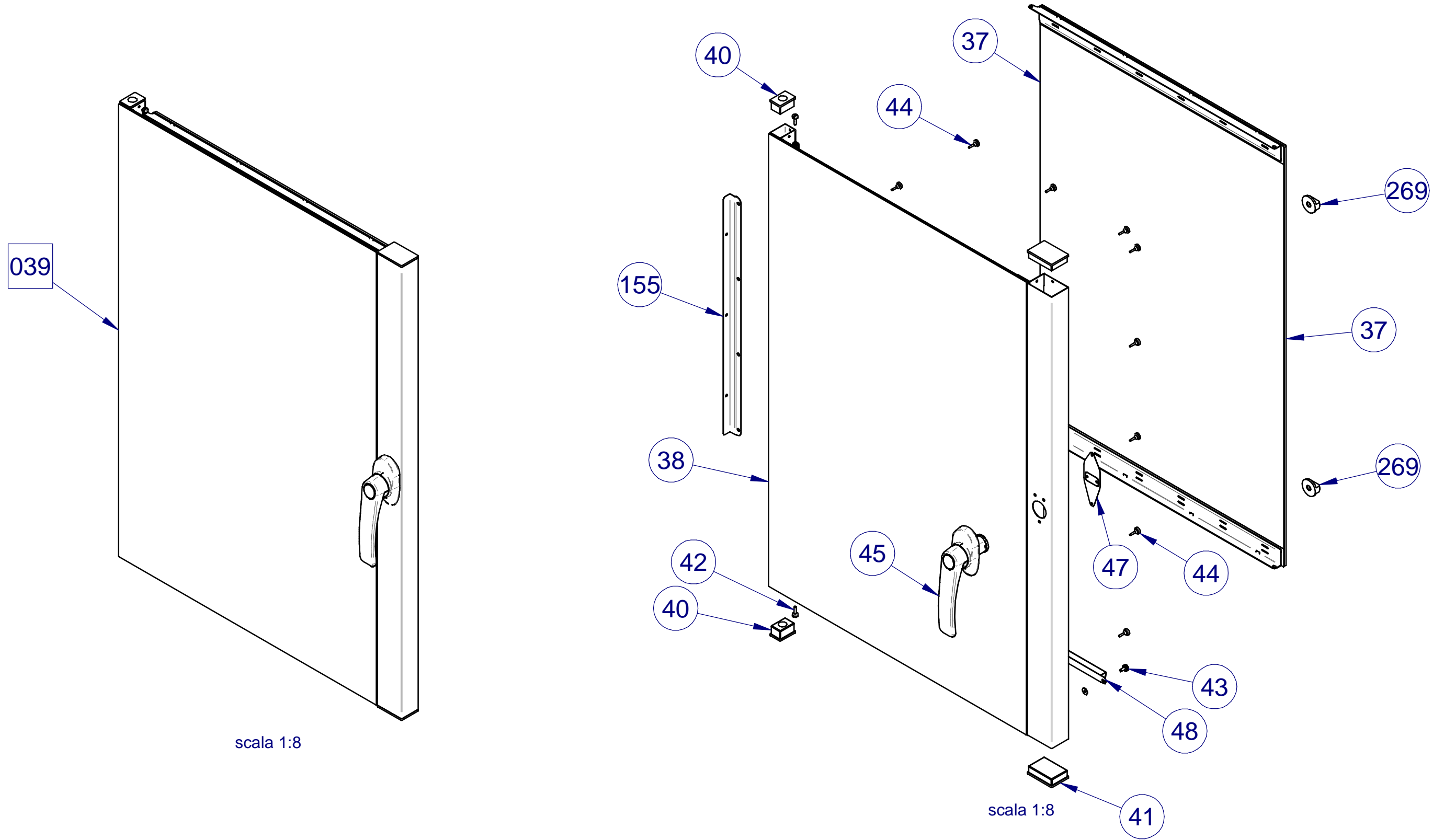
Scale : 1:8

Reserved property of VENIX S.r.l. as by law enacted it is strictly forbidden to copy or transmit to third party the subject of this drawing.

Drawing by: PREVEDELLO M.

Date					Released: 09/05/2019
Revision No	1	2	3	4	Page No: Pag. 1 of 2

Description : **OVEN EXPLODED VIEW**
 Filename: **CP10DY, CP12DY**



Date				
Revision No	1	2	3	4

Released:	09/05/2019
Description :	DOOR EXPLODED VIEW

Scale :
1:8

Reserved property of VENIX S.r.l. as by law enacted it is strictly forbidden to copy or transmit to third party the subject of this drawing.

Drawing by:
PREVEDELLO M.

Page No:
Pag. 2 of 2

Filename:
CP10DY, CP12DY EXPLODED VIEW

LISTA DISTINTA BASE RICAMBI al: 08/01/21

Cliente: *

Ditta: VENIX

Elabora: C

Dall'articolo: 020ACC00001

All'articolo : ZZSCONTO

Valorizzazione : Costo Standard

ARTICLE	U.M.	DATA EV	DPR	CLO
---------	------	---------	-----	-----

020LAM0004		HALOGENE SQUARED LIGHT FOR LIDO/GIUDECCA	PZ	25/06/19	001	CPR
------------	--	------------------------------------------	----	----------	-----	-----

N.DRAWING	CODE SPARE PART	CLIENT'S CODE	DESCRIPTION	QTY		
421	020LAM0004_A		LAMPHOLDER FOR LAM0004	1,00000		
422	020LAM0004_B		40W LIGHT BULB	1,00000		
423	020LAM0004_C		GLASS FOR LAM0004	1,00000		
424	020LAM0004_D		METAL LAMP COVER	1,00000		
425	020LAM0004_E		HALOGEN LAMP GASKET	1,00000		

85MOT00005*		ASS. MOT. 230V-50/60 M8 2-SPEED+HUM	PZ	03/07/20	001	CPR
-------------	--	-------------------------------------	----	----------	-----	-----

N.DRAWING	CODE SPARE PART	CLIENT'S CODE	DESCRIPTION	QTY		
080	020MOT0029		MOTOR 220/240V 2 SPEEDS (EX 020MOT0005)	1,00000		
341	020CND00003		CAPACITOR 8 µF	1,00000		

AVELG10*		COMPLETE EXTERNAL GLASS DOOR OVEN L10/G12	PZ	23/07/19	001	CPR
----------	--	----------------------------------------------	----	----------	-----	-----

N.DRAWING	CODE SPARE PART	CLIENT'S CODE	DESCRIPTION	QTY		
044	040TAP00015		INTERNAL GLASS SPACER	17,00000		

ARTICLE		U.M.	DATA EV	DPR	CLO
CP10DY*	COMBI OVEN WITH HORIZONTAL DIGITAL PANEL 10 TRAYS 600X400 - 3 BUTTONS	PZ	19/11/20	001	CPR
N.DRAWING	CODE SPARE PART	CLIENT'S CODE	DESCRIPTION		QTY
001	9000000127708	GIUDECCA/LIDO	FRO CP6DY/CP10DY REVOLUTION		1,00000
002	40DIS00013		MICROSWITCH SPACER PLATE RAL7024		1,00000
009	10CRUA08SAA138		CRS DIGIT CP07DY/CP12DY SENZA IMBUT.		1,00000
012	020CNT0001		6 PINS CONNECTOR WITH PLATE		1,00000
016	020SCH0022		PC BOARD COMBI/BAKERY OVEN DIGITAL LINE		1,00000
039	9000000006874		COMPLETE OVEN DOOR		1,00000
045	60MAGTR003		RED HANDLE		1,00000
046	10VAS025		WATER S.STEEL CONTAINER		1,00000
048	10VAS032		DROPLET TRAY CP07 DOOR		1,00000
056	10DEFA10LAA086		DEFLETTORE ARIA CP12		1,00000
059	60VENAI005		FAN 200X061UN		3,00000
061	040B0C00006		ROUND BUSHING MOTOR		3,00000
062	020RES50230232613		HEATING ELEMENT 5 KW		3,00000
065	040GUA00002		GASKET COMBI/BAKERY OVEN		3,19000
067	85PIA00003		PLATE		1,00000
068	020LAM0004		HALOGENE SQUARED LIGHT FOR LIDO/GIUDECCA		3,00000
069	60NASAI001		HANDLE HINGE		1,00000
070	60PERAI003		HANDLE BOLT		1,00000
071	10PROZ12NIN213		PROFILO INF.RINF.PESO MUFF. CP07		2,00000
072	10FIAA10SDX216		FIANCO DX ANTERIORE CP12		1,00000
073	60MOLAI002		FIXING SPRING		2,00000
074	020SON0002		TEMPERATURE PROBE		1,00000
075	10PROZ15NAA226		SUPPORT PROFILE		1,00000
078	020PUL0002		DOOR MICROSWITCH		1,00000
079	020MOR0004		MAIN TERMINAL BLOCK KLEMSAN		1,00000
082	020TEL0003		CONTACTOR ABB 230V 25A		5,00000
083	020TER0003		SECURITY THERMOSTAT		1,00000
085	10SUPZ10NAA067		SUPP.COMPONENTI CP		1,00000
089	50GRIAI132		GRIGLIA SX PASTICCERIA CP10		1,00000
090	50GRIAI131		GRIGLIA DX PASTICCERIA CP10		1,00000
091	50PIEAI002		ADJUSTABLE FEET H 50 MM		4,00000
092	10FONZ12NAA050	FONDO SUPP. PIEDINI CP07		1,00000	
094	10FIAA10SIN203	ASS.FIANCO ANT. INF. CP07		1,00000	
098	020MOR0001	GROUND TERMINAL		1,00000	
106	30TUBP80006	TUBE		1,80000	
107	020ELE0003	TRIPLE SOLENOID VALVE		1,00000	
108	040RAC00001	PLASTIC JUNCTION		3,00000	
115	10SCNZ10NAA083	SCHIENA POSTERIORE CP12		1,00000	
117	10FIAA10SSU202	FIANCO SUPERIORE CP07		1,00000	
118	10SUPA50SSU008	UPPER DOOR SUPPORT FOR OVEN L04 L06 L10		1,00000	
120	10PIAA20NAA010	PLATE		1,00000	
121	10PIAA10SAA013	PLATE		1,00000	
122	10FIAA10SSX217	ASS.FIANCO SX CP12		1,00000	
249	040SCA00001	PLASTIC COVER		1,00000	
301	30TUBG50010	TUBE		0,05000	

ARTICLE			U.M.	DATA EV	DPR	CLO		
302	60VAPVA001						CHIMNEY VALVE	1,00000
341	020CND00001						MOTOR CONDENSER	3,00000
391	040CRV002						PLASTIC ELBOW	3,00000

PTLG10*	COMPLETE OVEN DOOR FOR OVEN L10/G12	PZ	17/10/19	001	CPR			
---------	-------------------------------------	----	----------	-----	-----	--	--	--

N.DRAWING	CODE SPARE PART	CLIENT'S CODE	DESCRIPTION	QTY		
037	AVILG10.1	L10/G12	COMPLETE INTERNAL GLASS DOOR OVEN	1,00000		
038	9000000070370		ASSIEME VETRO ESTERNO L/G10 NERO NESSUN	1,00000		
040	040TAP00001		PLASTIC COVER OVEN DOOR	2,00000		
041	040TAP00002		PLASTIC COVER OVEN DOOR	2,00000		
269	040MAN00010		KNOB TO BLOCK OVEN INTERNAL GLASS	2,00000		

Gestware